

Single Sheave Crane Blocks

Product information



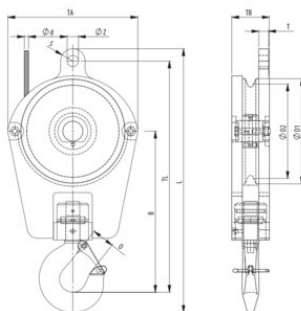
General:

- Standard fitted with becket, cylindrical roller bearing and reeving guide.
- Standard fitted with Crosby type of swivel only hook (319AN style), including safety latch and split pin.
- Standard painted yellow (no striping).
- This crane block may be used with 2 lines only as well.
- Sheaves may be adjustud for other wire rope diameters.
- Becket suitable for connecting Open Wedge Socket for indicated wire rope.
- Becket can not be adjusted.

... [Read more](#)

Single Sheave Crane Blocks

Blueprint



Technical data

Part code	WLL ton	Rope Ø mm	Sheave dia. mm	øD1 mm	øD2 mm	B mm	O mm	S mm	TA mm	TB mm	TLmm mm	T mm	øZ mm	Weight kg
16.1321250051111	5	11	250/210	250	210	348	34	30	320	103	523	20	27	41
16.1321260051113	5	13	260/221	260	221	353	34	30	353	109	525	22	27	67
16.1321260081114	8	14	260/218	260	218	390	43	35	330	121	571	28	32	80
16.1321300081113	8	13	300/255	300	255	426	43	30	370	101	621	22	27	89
16.1321300081116	8	16	300/252	300	252	420	43	35	370	111	621	28	32	94
16.1321300101116	10	16	300/252	300	252	459	52	35	370	127	659	28	32	91
16.1321260101114	10	14	260/218	260	218	429	52	35	330	137	609	28	32	93
16.1321350101116	10	16	350/305	350	305	499	52	35	435	107	739	28	33	113
16.1321400121118	12	18	400/345	400	345	557	57	45	500	125	832	35	37	162
16.1321450161120	16	20	450/390	450	390	592	57	50	550	131	917	35	43	206
16.1321500201122	20	22	500/430	500	430	592	76	50	600	148	1,032	40	43	284