

Short Bow Socket SBS

Product information



The "ultimate" socket for dynamic loads. Towing lines, anchor lines and chain-rope connections used by major offshore contractors. Quenched and tempered cast steel with extremely high mechanical values for unmatched weight to MBL ratio. All spelter sockets have a 100% efficiency on wire rope MBL.

The standard finish of our sockets is blue but hot dipped galvanized is also available.

Standard: EN 10204-2.1 declaration of conformity / EN 10204-3.1 material certificate.

[... Read more](#)

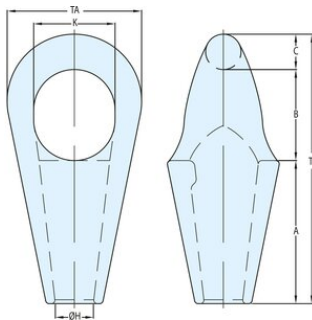
Material: Quenched and tempered cast steel.

Marking: According to standard

Standard: EN 10204

Short Bow Socket SBS

Blueprint



Technical data

Part code	Rope Ø range mm	MBL ton	Finish	Model	Rope Ø inch	A mm	B mm	C mm	øH mm	K mm	TA mm	TLmm mm	Weight kg
10.42445120010	31-36	140	Painted	SBS 512	1 1/4 - 1 3/8	141	83	38	39	75	132	262	7
10.42445170010	37-42	160	Painted	SBS 517	1 1/2 - 1 5/8	162	103	40	44	92	152	305	10
10.424.5190010	43-48	200	Painted	SBS 519	1 3/4 - 1 7/8	188	120	48	51	112	178	356	16
10.42445220010	49-54	250	Painted	SBS 522	2 - 2 1/8	204	132	54	59	120	200	390	21
10.42445240010	55-60	320	Painted	SBS 524	2 1/4 - 2 3/8	230	148	62	64	135	220	440	28
10.42445260010	61-68	400	Painted	SBS 526	2 1/2 - 2 5/8	265	165	68	73	150	250	198	44
10.42445270010	69-75	500	Painted	SBS 527	2 3/4 - 2 7/8	287	178	75	79	164	274	540	53
10.42445280010	76-80	600	Painted	SBS 528	3 - 3 5/8	314	195	76	89	175	295	585	70
10.42445290010	81-86	700	Painted	SBS 529	3 1/4 - 3 3/8	327	216	82	92	194	320	625	81
10.42445300010	87-93	800	Painted	SBS 530	3 1/2 - 3 5/8	358	220	92	99	202	350	670	112
10.42445310010	94-102	900	Painted	SBS 531	3 3/4 - 4	365	235	100	108	215	375	700	130
10.42445330010	108-115	1,000	Painted	SBS 533	4 1/4 - 4 1/2	420	270	110	120	240	410	800	182