

VNMW/VSNMW vertical lifting clamps

Product information

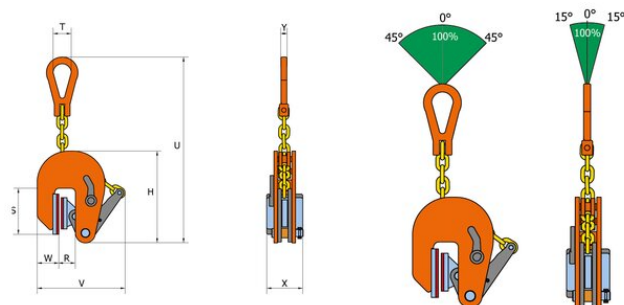


General: VNMW/VSNMW pewag winner is a non-marking clamp with two special synthetic pads. The clamp can be used for lifting, handling and moving of (stainless) steel, aluminium, wood and marble plates and will not leave any marks. The clamp is locked in closed as well as in open position and is mounted in the crane hook by means of a lifting chain with reeving link.
No minimum WLL required

[... Read more](#)

VNMW/VSNMW vertical lifting clamps

Blueprint



Technical data

Part code	Code	WLL ton	Jaw width mm	H, mm	S mm	T mm	U mm mm	V mm mm	Wmm mm	X mm mm	Ymm mm	Weight kg
16.01VNMW0.5t	VNMW 0.5 t	0.5	1-20	205	102	40	462	224	48	80	14	6
16.01VSNMW0.5t	VSNMW 0.5 t	0.5	17-37	205	102	40	462	241	48	80	14	6
16.01VNMW1t	VNMW 1 t	1	1-30	232	105	40	470	282	46	80	14	6.5
16.01VNMW1.5t	VNMW 1.5 t	1.5	1-40	232	105	40	470	282	46	80	14	6.5
16.01VNMW2t	VNMW 2 t	2	1-50	362	124	50	704	408	63	80	18	15
16.01VNMW3t	VNMW 3 t	3	1-60	362	124	50	704	408	63	80	18	15.5