

VCW/VCEW/SVCW vertical lifting clamps

Product information

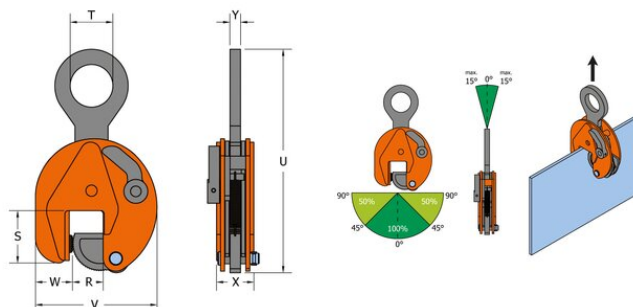


General: For vertical lifting and moving of steel plates and structures. The VCW/SVCW lifting clamps are equipped with a safety mechanism, ensuring the clamp does not slip when lifting force is applied and when load is being lowered. The clamp is locked in closed as well as in open position. Lifting capacity and jaw opening are clearly engraved in the body. Minimum WLL is 10% of the maximum WLL.

... [Read more](#)

VCW/VCEW/SVCW vertical lifting clamps

Blueprint



Technical data

Part code	Code	WLL ton	Jaw width mm	S mm	T mm	U mm	V mm	W mm	X mm	Y mm	Weight kg
16.0144697	VCW 0.75 t	0.75	0-13	47	30	202	100	37	37	10	1.7
16.0192254	VCEW 1 t	1	0-25	56	45	263	141	37	47	15	3.5
16.0192255	VCEW 2 t	2	0-35	78	64	336	183	56	56	16	7
16.0192573	VCEW 3 t	3	0-35	78	64	336	183	56	56	16	7
16.0110423	VCW 4.5 t	4.5	0-25	85	70	423	203	60	77	20	15
16.0193015	VCEW 4.5 t	4.5	0-45	85	70	425	228	60	78	20	16
16.0110428	VCW 6 t	6	0-32	114	75	490	225	78	78	20	19
16.0193154	VCEW 6 t	6	0-50	114	75	490	259	82	78	20	21
16.0110429	VCW 7.5 t	7.5	0-40	111	75	530	246	76	82	20	24
16.0193335	VCEW 7.5 t	7.5	0-55	111	75	522	267	70	86	20	26
16.0110433	VCW 9 t	9	0-55	111	75	522	267	70	86	20	27
16.019914	VCW 12 t	12	0-52	148	85	617	295	100	94	44	37
16.0110093	VCW 15 t	15	0-76	209	86	810	373	136	106	49	70
16.0189364	VCW 17 t	17	0-76	209	86	810	373	136	106	49	71
16.0110094	VCW 20 t	20	0-80	250	100	933	563	153	140	66	149
16.0110096	VCW 25 t	25	5-85	250	100	925	563	148	140	66	149
16.0110149	VCW 30 t	30	10-90	250	100	918	568	153	142	66	155.5