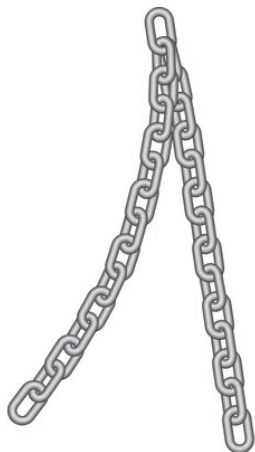


Short Link Chain R-7880, Stainless Steel

Product information



Short link chain.

Certification on request: 2.1

... [Read more](#)

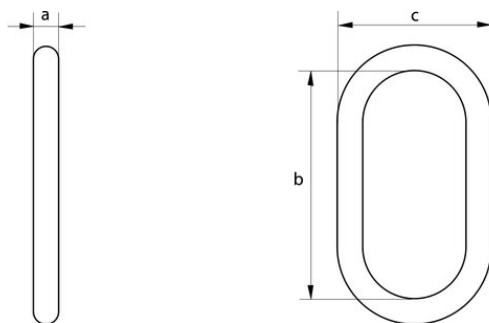
Material: AISI 316

Marking: According to standard

Standard: DIN 766

Short Link Chain R-7880, Stainless Steel

Blueprint



Technical data

Chain diameter mm	a mm	b mm	c mm	Weight kg/m
3	3	16	11	0.17
4	4	16	14	0.32
5	5	18.5	17	0.5
6	6	18.5	20	0.75
8	8	24	26	1.35
10	10	28	34	2.25