

Solid Thimble S-6134

Product information



Solid thimble for mounting on steel wire ropes. Designed for heavy-duty, permanent connections in rigging and lifting applications.

Certification on request: 2.1

... [Read more](#)

Material: Cast mild steel, (GTW 40)

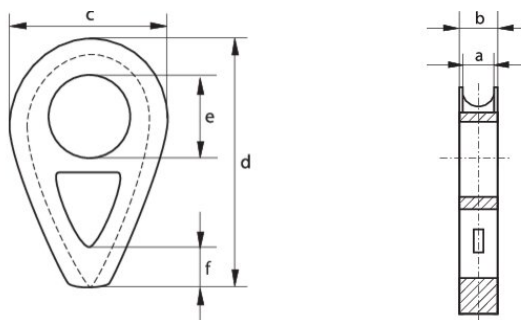
Marking: According to standard, CE-marked

Finish: Self coloured

Standard: DIN 3091

Solid Thimble S-6134

Blueprint



Technical data

Part code	Rope Ø range mm	a mm	b mm mm	c mm	dmm mm	e mm mm	f mm mm	Weight kg/100pc
10.27KSD91080	8	9	15	40	56	14	-	1.3
10.27KSD91100	10	11	17.5	50	70	18	-	1.7
10.27KSD91120	12	13	20	60	84	21	-	2
10.27KSD91140	14	16	23.5	70	98	25	-	2.5
10.27KSD91160	16	18	26	80	130	28	16	3.2
10.27KSD91180	18	20	28.5	90	145	31	18	4.6
10.27KSD91200	20	22	31	100	161	35	20	6.6
10.27KSD91220	22	24	33.5	110	177	38	22	9
10.27KSD91240	24	26	36	120	193	41	24	14
10.27KSD91260	26	29	39.5	130	209	44	26	21
10.27KSD91280	28	31	42	140	224	47	28	39
10.27KSD91320	32	35	47	160	256	53	32	73
10.27KSD91360	36	40	53	180	288	59	36	83
10.27KSD91400	40	44	58	200	320	65	40	113
10.27KSD91440	44	48	63	220	352	70	44	148
10.27KSD91480	48	53	69	240	384	76	48	193
10.27KSD91520	52	57	74	260	416	81	52	254
10.27KSD91560	56	62	80	280	448	86	56	355
10.27KSD91640	64	70	90	320	512	95	64	387
10.27KSD91720	72	79	101	360	576	140	72	437
10.27KSD91800	80	88	112	400	640	-	80	870